



Sahara

FAN HEATER, LIGHT AND EXHAUST

- High performance bathroom unit with integrated fan heat, LED light and exhaust
- Ultra slim modern design
- Fan heat creates a comfortable, warm environment
- Fan cool function ideal for warmer climates
- High air extraction ideal for control of steam and moisture
- Premium LED light panel with high lumen output



Sahara

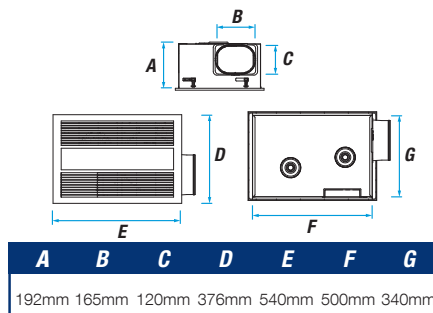


FAN HEATER, LIGHT AND EXHAUST

High Performance bathroom unit integrated fan heat, LED light and exhaust.



DIMENSIONS



EXHAUST

Air Volume: 380m³H

Motor Power: 55W

Duct Outlet: Ø150mm

Draft Stopper: Yes

Noise: 48dB(A)

LIGHT

Light Type: Tri Colour LED

Light Wattage: 20W

Lumens: 1400Lm (Avg)

HEAT/COOL

Type: Fan Driven

Heat Wattage (L/H): 2000W

Fan Wattage: 40W

INSTALLATION

Cut Out Size: 523 x 343mm

Fascia Size: 540 x 376mm

Recommended

Min Install Depth: 200mm

Power Input: 220-240V~50Hz

IP Rating: IPX2

Installation: Qualified Electrician Needed

SHIPPING

Packaging Size: 705mm (w) x 425mm (h) x 275mm (d)

Gross Weight: 9kg

Net Weight: 8.1kg

Carton Size: 720mm (l) x 580mm (w) x 445mm (h)

Carton Weight: 19.9kg

Net Weight: 16.2kg

Carton Qty: 2

Pallet Qty: 24 Pieces

INCLUDES

- 1 x Bathroom Unit
- 1 x Four Switch Wall Plate
- 1 x Cutout Template
- 1 x 3m Duct
- 1 x Outlet Grille
- 1 x Instruction Manual

AVAILABLE EXTRAS

- VUBHR** Universal Bathroom Remote
- VAD150** Ø150mm 6m Aluminum Ducting
- VAD150-3** Ø150mm 3m Aluminum Ducting
- V150FG** Ø150mm External Grille
- V150DKIT** 6m Aluminum Ducting and Fixed Grille
- V150PALG** Exterior Aluminium Vent

Model	Outer Carton	EAN13 Barcode
White SAH31WH	19339310009334	9 339310 009337 >

ventair[™]

THE AIR MOVEMENT SPECIALISTS

4 Capital Place, Carrum Downs,
VIC, 3201, Australia

T: 03 9775 0556

E: sales@ventair.com.au

www.ventair.com.au |